

LOW PROFILE HYDRAULIC HEXAGON TORQUE WRENCHES



- ✓ Designed to tighten and loosen directly nuts requiring accurate high torque during bolt tightening and maximum torque during bolt loosening.
- ✓ Low profile design and small operating radius.
- ✓ Robust and easy to disassemble for maintenance without special tools.
- ✓ Fast release drive unit for quick exchange of cassette.
- ✓ 30° rotation angle and rapid return stroke.
- ✓ Torque accuracy: $\pm 3\%$ across full stroke.
- ✓ Wide range of interchangeable cassettes, from 30mm to 155mm hexagon.
- ✓ Wide range of hexagonal reducer inserts to extend the range of nut size as option.
- ✓ Wide range of accessories available: Extended Reaction Arms and Reaction Paddles.
- ✓ Several models of HAT torque wrench pumps available.

HAT Torque Wrench Pump.



P.103



Drive Unit



Cassette



Reducer Inserts



Performance under Pressure

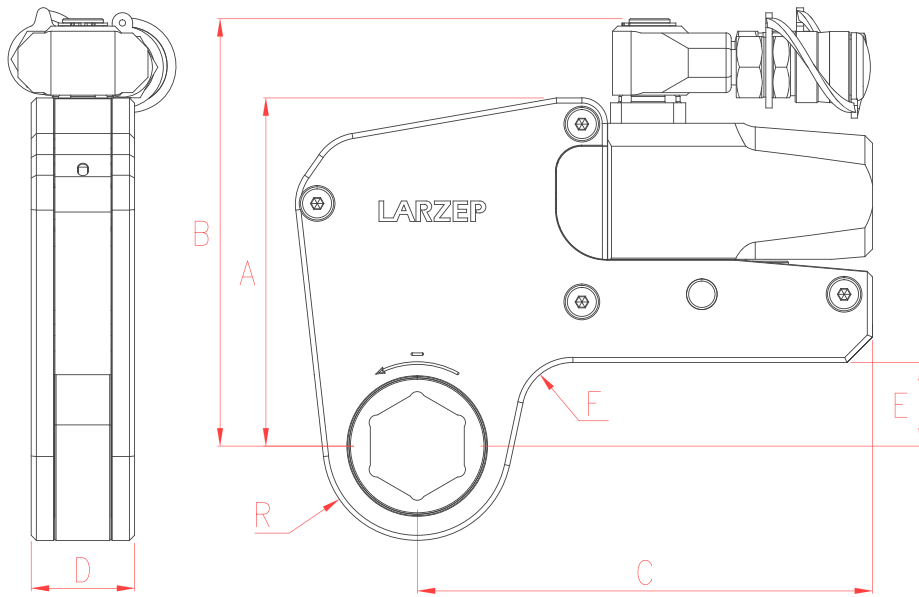
HEXAGONAL TORQUE WRENCHES



Type **LX**

Torque **2.712 - 47.450 Nm**

Max. pressure **690 bar**



Torque	Drive Unit		Cassette			Dimensions					
Maximum	Model	Weight	Model	Hexagon	Weight	A	B	C	D	E	F
Nm	LARZEP	kg	LARZEP	mm	kg	mm	mm	mm	mm	mm	mm
2.712	LX03	1,4	LX03H_	30 to 60	2,1-2,3	109	141	148	32	24	20
5.423	LX06	2,0	LX06H_	36 to 85	3,7-4,5	136	167	178	41	33	20
10.846	LX11	3,0	LX11H_	50 to 105	7,9-9,3	172	205	208	53	42	25
20.337	LX21	5,0	LX21H_	65 to 115	13,6-15,1	207	240	253	63	50	20
30.505	LX31	7,7	LX31H_	75 to 135	21,9-25,0	227	266	297	77	48	35
47.450	LX47	11,4	LX47H_	80 to 155	31,8-36,7	268	301	345	91	69-73	50

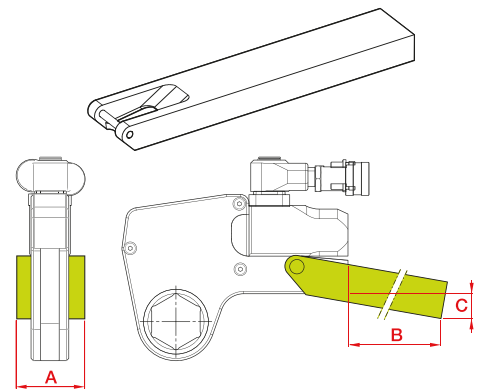


The wrenches consist of a drive unit (LX__) and an interchangeable hexagonal cassette (LX__H__).

Example: If you need a torque wrench for 50 mm hexagon with a maximum torque of 5.100 Nm, References to request are **LX06 + LX06H050**.

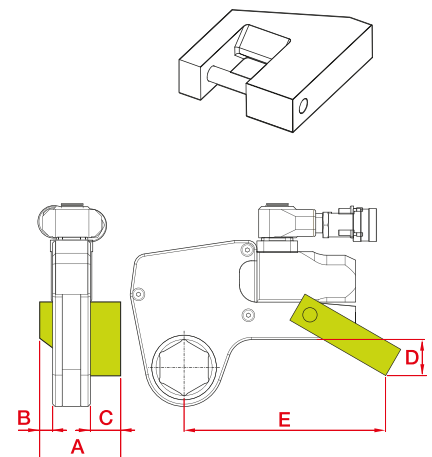
Extended Reaction Arms

Wrench	Model	A	B	C	Weight
Model	LARZEP	mm	mm	mm	kg
LX03	LX03LA	56	398	76	2,6
LX06	LX06LA	66	436	74	4,6
LX11	LX11LA	85	449	55	7,6
LX21	LX21LA	102	498	72	12,0
LX31	LX31LA	114	524	77	17,3
LX47	LX47LA	127	419	133	17,8



Reaction Paddles

Wrench	Model	A	B	C	D	E	Weight
Model	LARZEP	mm	mm	mm	mm	mm	kg
LX03	LX03SA	84	16	35	45	148	0,4
LX06	LX06SA	109	21	47	59	190	0,8
LX11	LX11SA	137	26	57	69	223	2,0
LX21	LX21SA	165	32	69	87	257	3,9
LX31	LX31SA	207	37	91	134	317	7,2
LX47	LX47SA	225	42	91	182	367	10,6



HEXAGONAL REDUCER INSERTS



HEXAGONAL REDUCER INSERTS

CASSETTES				HEXAGONAL REDUCER INSERTS					
Model	Thread	Hexagon	R	Model	Reducer	Model	Reducer	Model	Reducer
LX03		mm (A/F)	mm	LX03	mm (A/F)	LX03	mm (A/F)	LX03	mm (A/F)
LX03H030	M20	30	31	-	-	-	-	-	-
LX03H032	M22	32	31	-	-	-	-	-	-
LX03H036	M24	36	31	-	-	-	-	-	-
LX03H041	M27	41	34	LX03R041032	41 - 32	LX03R041030	41 - 30	LX03R041024	41 - 24
LX03H046	M30	46	34	LX03R046036	46 - 36	LX03R046032	46 - 32	-	-
LX03H050	M33	50	39	LX03R050041	50 - 41	LX03R050036	50 - 36	-	-
LX03H055	M36	55	42	LX03R055046	55 - 46	LX03R055041	55 - 41	LX03R055036	55 - 36
LX03H060	M39	60	45	LX03R060050	60 - 50	LX03R060046	60 - 46	LX03R060041	60 - 41
				LX03R060036	60 - 36	-	-	-	-

CASSETTES				HEXAGONAL REDUCER INSERTS					
Model	Thread	Hexagon	R	Model	Reducer	Model	Reducer	Model	Reducer
LX06		mm (A/F)	mm	LX06	mm (A/F)	LX06	mm (A/F)	LX06	mm (A/F)
LX06H036	M24	36	37	-	36 - 30	-	-	-	-
LX06H041	M27	41	37	-	41 - 32	-	-	-	-
LX06H046	M30	46	40	-	46 - 36	-	-	-	-
LX06H050	M33	50	42	LX06R050036	50 - 36	-	-	-	-
LX06H055	M36	55	44	LX06R055041	55 - 41	LX06R055036	55 - 36	LX06R055032	55 - 32
LX06H060	M39	60	47	LX06R060050	60 - 50	LX06R060046	60 - 46	LX06R060036	60 - 36
AX06H065	M42	65	50	LX06R065055	65 - 55	LX06R065050	65 - 50	LX06R065046	65 - 46
LX06H070	M45	70	53	LX06R070060	70 - 60	LX06R070055	70 - 65	-	-
LX06H075	M48	75	55	LX06R075065	75 - 65	LX06R075060	75 - 60	LX06R075055	75 - 55
				LX06R075050	75 - 50	-	-	-	-
LX06H080	M52	80	59	LX06R080070	80 - 70	LX06R080065	80 - 65	LX06R080060	80 - 60
				LX06R080055	80 - 55	LX06R080050	80 - 50	-	-
LX06H085	M56	85	62						

CASSETTES				HEXAGONAL REDUCER INSERTS					
Model	Thread	Hexagon	R	Model	Reducer	Model	Reducer	Model	Reducer
LX11		mm (A/F)	mm	LX11	mm (A/F)	LX11	mm (A/F)	LX11	mm (A/F)
LX11H050	M33	50	45	-	-	-	-	-	-
LX11H055	M36	55	48	-	-	-	-	-	-
LX11H060	M39	60	51	-	-	-	-	-	-
LX11H065	M42	65	56	LX11R065050	65 - 50	-	-	-	-
LX11H070	M45	70	56	LX11R070055	70 - 55	-	-	-	-
LX11H075	M48	75	58	LX11R075060	75 - 60	LX11R075055	75 - 55	-	-
LX11H080	M52	80	61	LX11R080065	80 - 65	LX11R080060	80 - 60	LX11R080055	80 - 55
				LX11R080050	80 - 50	-	-	-	-
LX11H085	M56	85	66	LX11R085070	85 - 70	LX11R085065	85 - 65	LX11R085060	85 - 60
				LX11R085055	85 - 55	-	-	-	-
LX11H090	M60	90	74	LX11R090075	90 - 75	-	-	-	-
LX11H095	M64	95	74	LX11R095080	95 - 80	LX11R095075	95 - 75	-	-
LX11H100	M68	100	80						
LX11H105	M72	105	80						

LXTOOLS



Performance under Pressure

HEXAGONAL REDUCER INSERTS

HEXAGONAL REDUCER INSERTS



CASSETTES				HEXAGONAL REDUCER INSERTS					
Model	Thread	Hexagon	R	Model	Reducer	Model	Reducer	Model	Reducer
LX21		mm (A/F)	mm	LX21	mm (A/F)	LX21	mm (A/F)	LX21	mm (A/F)
LX21H070	M45	70	59	-	-	-	-	-	-
LX21H075	M48	75	62	-	-	-	-	-	-
LX21H080	M52	80	65	LX21R080065	80 - 65	-	-	-	-
LX21H085	M56	85	70	LX21R085070	85 - 70	-	-	-	-
LX21H090	M60	90	75	LX21R090075	90 - 75	-	-	-	-
LX21H095	M64	95	75	LX21R095080	95 - 80	LX21R095075	95 - 75	-	-
LX21H100	M68	100	81	-	-	-	-	-	-
LX21H105	M72	105	81	LX21R105090	105 - 90	-	-	-	-
LX21H110	M76	110	88	LX21R110095	110 - 95	-	-	-	-
LX21H115	M80	115	88	LX21R115100	115 - 100	-	-	-	-

CASSETTES				HEXAGONAL REDUCER INSERTS					
Model	Thread	Hexagon	R	Model	Reducer	Model	Reducer	Model	Reducer
LX31		mm (A/F)	mm	LX31	mm (A/F)	LX31	mm (A/F)	LX31	mm (A/F)
LX31H075	M48	75	67	-	-	-	-	-	-
LX31H080	M52	80	67	LX31R080060	80 - 60	LX31R080055	80 - 55	-	-
LX31H085	M56	85	73	LX31R085065	85 - 65	LX31R085060	85 - 60	-	-
LX31H090	M60	90	78	LX31R090070	90 - 70	LX31R090060	90 - 60	-	-
LX31H095	M64	95	78	LX31R095075	95 - 75	-	-	-	-
LX31H100	M68	100	85	-	-	-	-	-	-
LX31H105	M72	105	85	-	-	-	-	-	-
LX31H110	M76	110	90	-	-	-	-	-	-
LX31H115	M80	115	90	-	-	-	-	-	-
LX31H120	M85	120	95	-	-	-	-	-	-
LX31H130	M90	130	100	-	-	-	-	-	-
LX31H135	M95	135	100	LX31R135105	135 - 105	-	-	-	-

CASSETTES				HEXAGONAL REDUCER INSERTS					
Model	Thread	Hexagon	R	Model	Reducer	Model	Reducer	Model	Reducer
LX47		mm (A/F)	mm	LX47	mm (A/F)	LX47	mm (A/F)	LX47	mm (A/F)
LX47H080	M52	80	129	LX47R080050	80 - 50	-	-	-	-
LX47H085	M56	85	129	-	-	-	-	-	-
LX47H090	M60	90	135	LX47R090060	90 - 60	-	-	-	-
LX47H095	M64	95	135	-	-	-	-	-	-
LX47H100	M68	100	139	-	-	-	-	-	-
LX47H105	M72	105	139	-	-	-	-	-	-
LX47H110	M76	110	146	LX47R110085	110 - 85	-	-	-	-
LX47H115	M80	115	146	-	-	-	-	-	-
LX47H120	M85	120	153	LX47R120095	120 - 95	-	-	-	-
LX47H130	M90	130	160	LX47R130105	130 - 105	-	-	-	-
LX47H135	M95	135	160	LX47R135110	135 - 110	-	-	-	-
LX47H140	M95	140	163	LX47R140115	140 - 115	-	-	-	-
LX47H145	M100	145	163	LX47R145120	145 - 120	-	-	-	-
LX47H150	M105	150	169	-	-	-	-	-	-
LX47H155	M110	155	169	LX47R155130	155 - 130	-	-	-	-